



Designed for unattended access controlled applications where higher security is required and tailgating is prevented, such as gyms & club membership areas, as well as many other busy yet secure zones within buildings.

The Electro Glass-Pass is a turnstile built on the principle of the traditional rotary full height turnstiles, but with rotating glass wings instead of metal rods. This model is more secure than waist height turnstiles and it will provide the same security protection as comparable to traditional full height turnstiles, however far more aesthetically pleasing.

The Electro Glass-Pass Security Door can be supplied in a brushed stainless steel as standard or polished stainless steel as an option.

Controlled by

- Access control system
- Manual control

When power goes off both directions are closed.



Additional Options

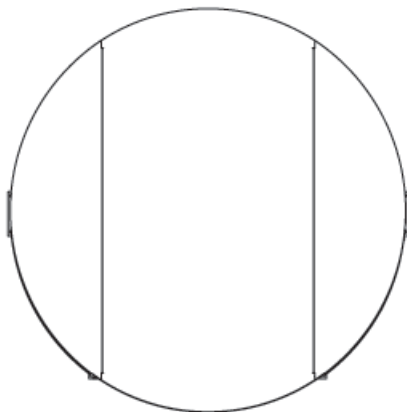
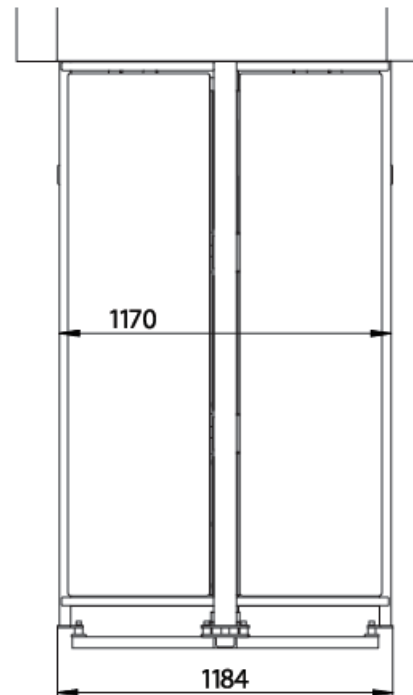
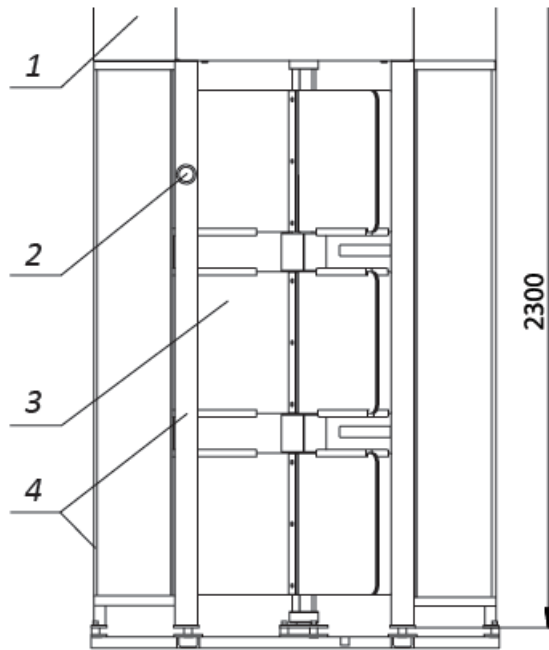
- Manual unlocking in case of power outage
- Reader for access control system
- Remote radio controller
- Backup battery 12 V, 17 A•h
- Protective canopy

Technical Specifications

Length	1180 mm
Width	1420 mm
Height	2300 mm
Weight (no more than)	470 kg

Electrical Specifications

- Voltage:
 - from the AC (100–240) V, 50/60 Hz
 - from a DC source 12 V
- Maximum power consumption: 150 watts per pass



- 1 - canopy;
- 2 - LED display;
- 3 - rotor;
- 4 - frame;