



If you want to be 100% sure of reliable site access security then the full-height Electro Sesame full height turnstile is the best choice. This device provides complete access control being a physical barrier, subject to the required level of security it can be supplied with either a single or double cage.

Authorised access is performed by means of card readers or manual control. The full-height Electro Sesame turnstile is available as a single or double unit.

The sturdy design ensures uninterrupted operation for millions of passages. In free access mode up to 20 pedestrians per minute can go through the turnstile.

This full-height rotor turnstile can be in a variety of different finishes including stainless steel, galvanised and powder coated.

Controlled by

- Access control system
- Manual control

When power goes OFF both directions are free.

Additional Options

- Manual unlocking in case of unavailable power
- Reader for access control system
- Remote radio controller
- Backup battery 12 V, 17 A·h
- Protective canopy

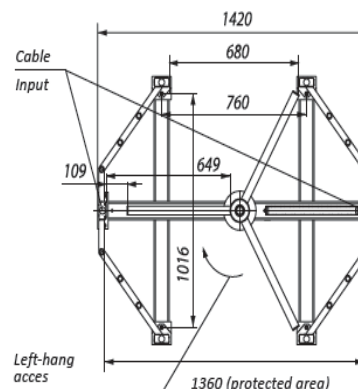
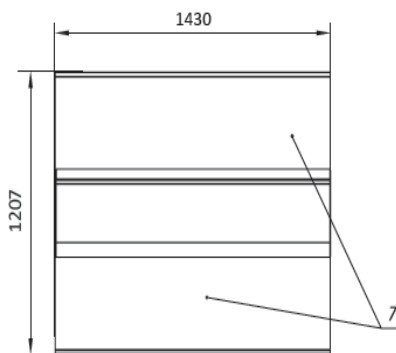
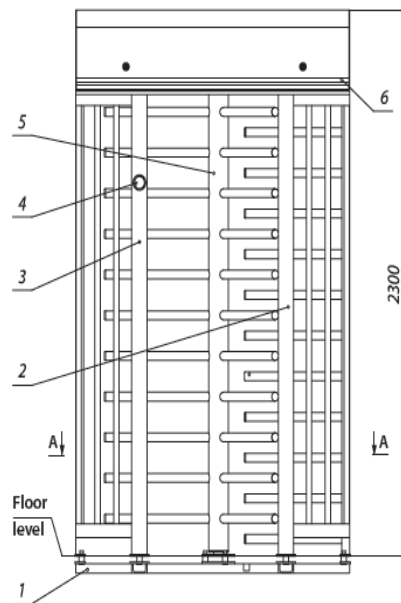


Technical Specifications

Length	1207 mm
Width	1430 mm
Height	2300 mm
Weight (no more than)	375 kg

Electrical Specifications

- Voltage:
 - from the AC (100–240) V, 50/60 Hz
 - from a DC source 12 V
- Maximum power consumption:
 - Without servo: indoor 100 W outdoor 500 W
 - With servo: indoor 300 W outdoor 700 W



- 1 – frame;
- 2 – enclosure wall;
- 3 – passage wall;
- 4 – LED display;
- 5 – rotor;
- 6 – container;
- 7 – canopies.